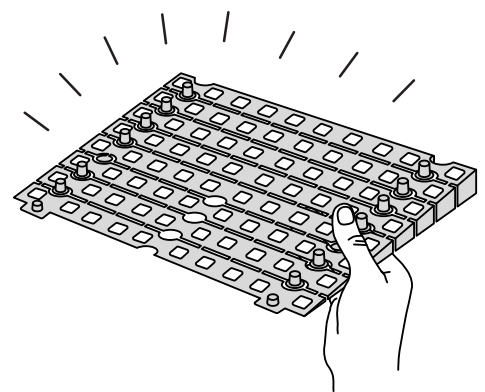
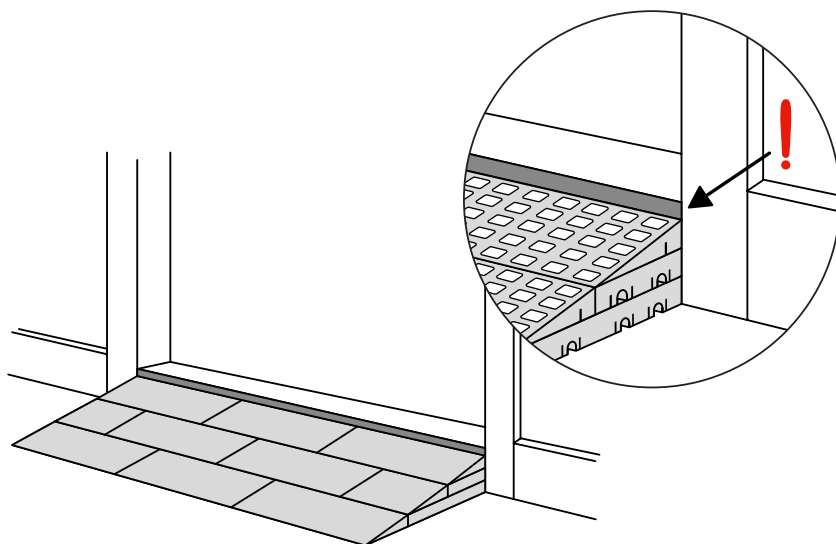
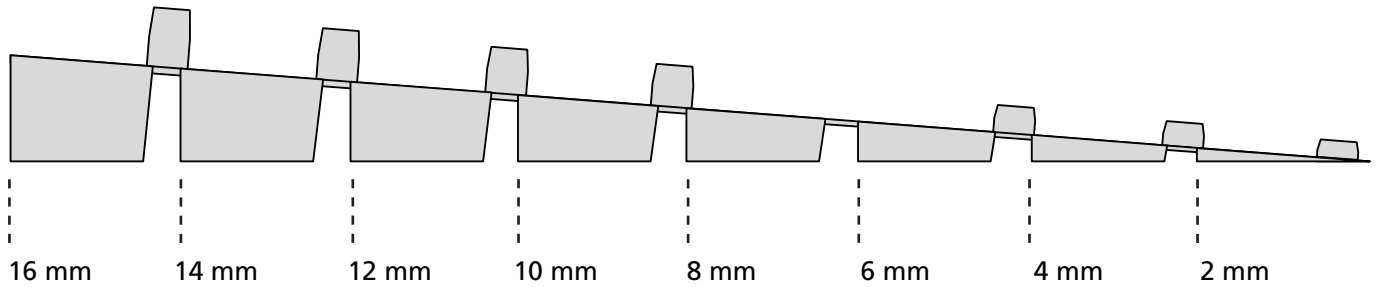
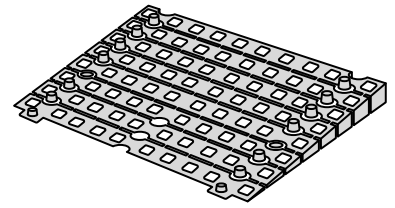


With the Ramp Adjuster it's possible to make fine adjustments of ramps.  
Adjustments with only 2 mm differences in height:



Mark the right height on the Ramp Adjuster:

